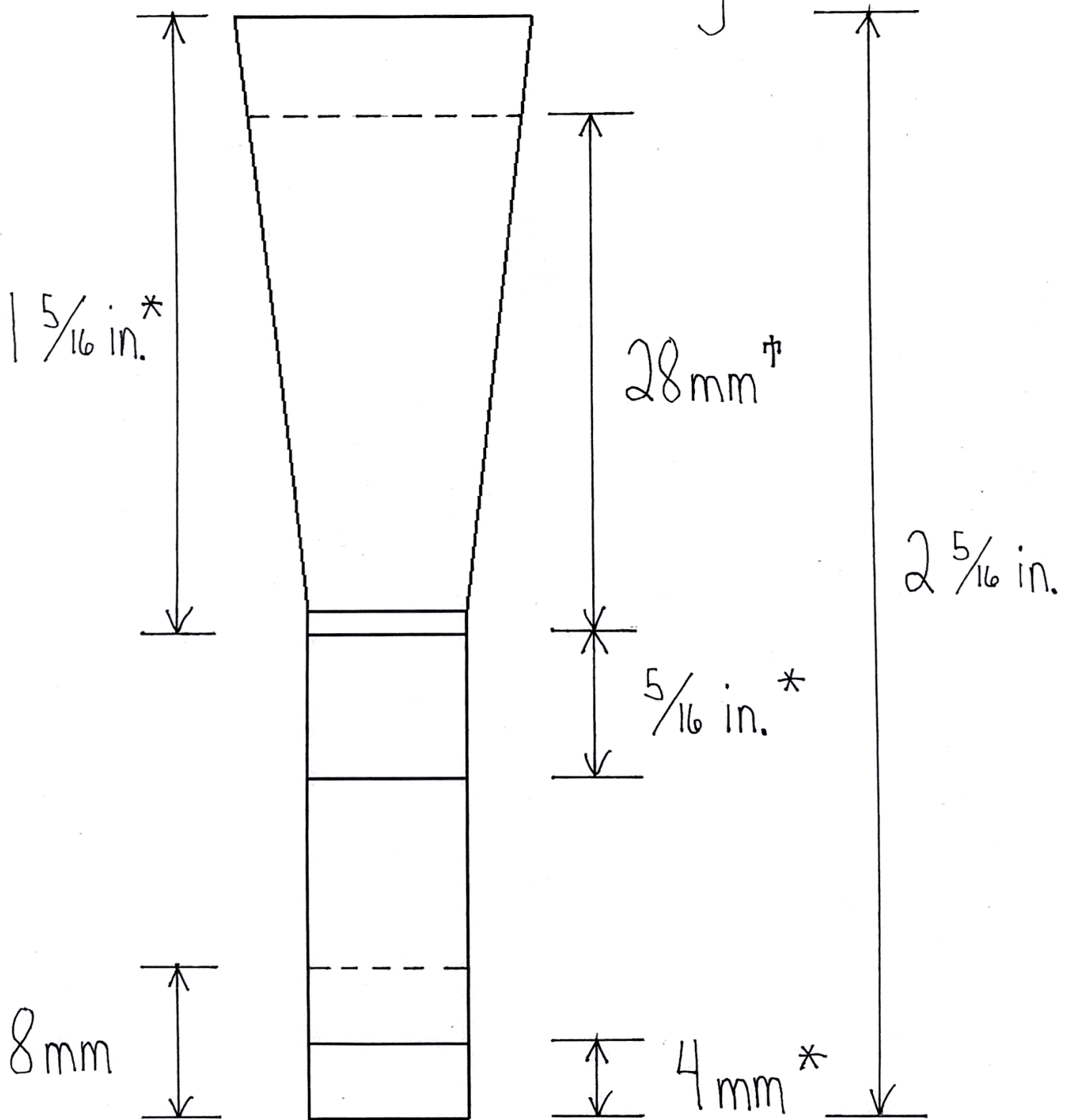


Bassoon Reed Diagram



* from MIDDLE of wire

‡ from TOP of wire John S. Haywood